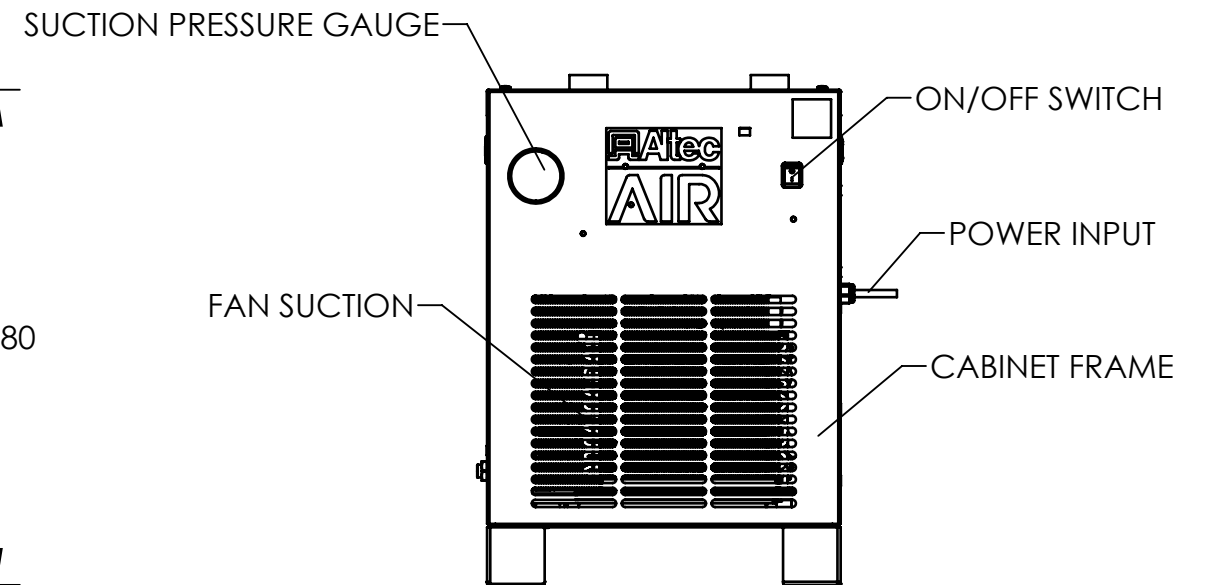
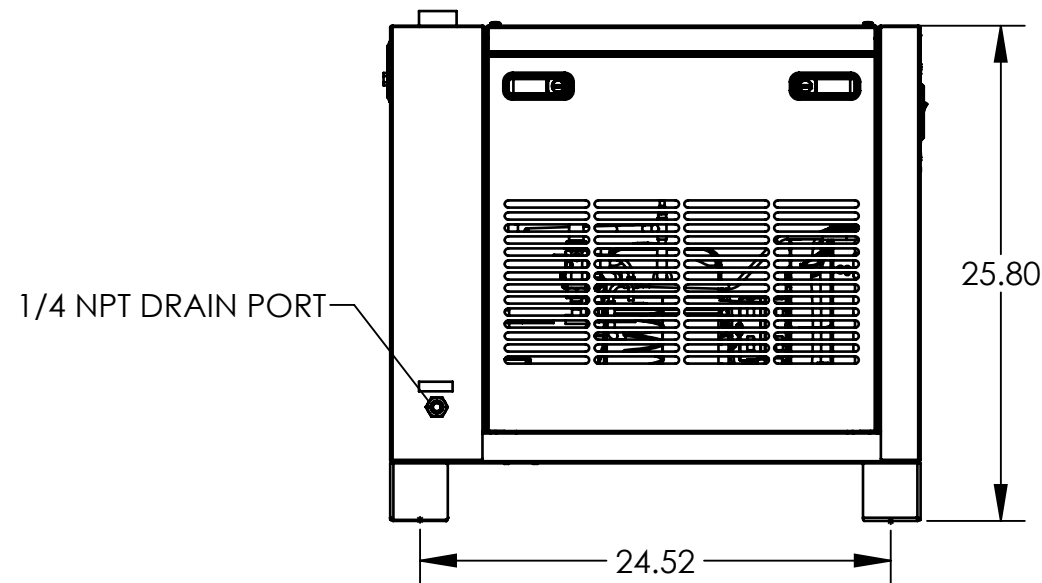
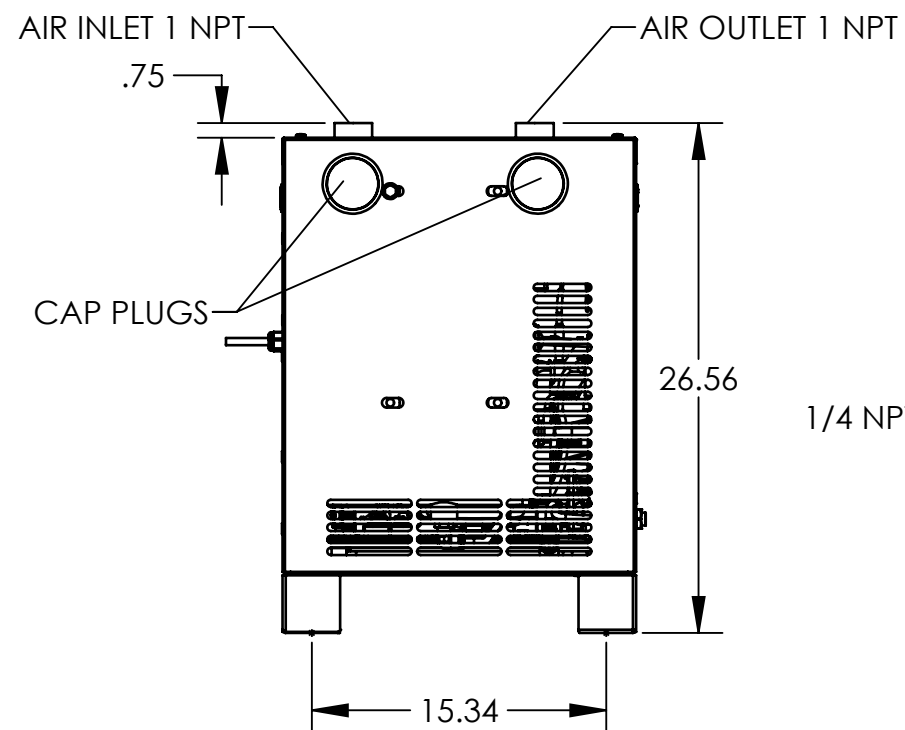
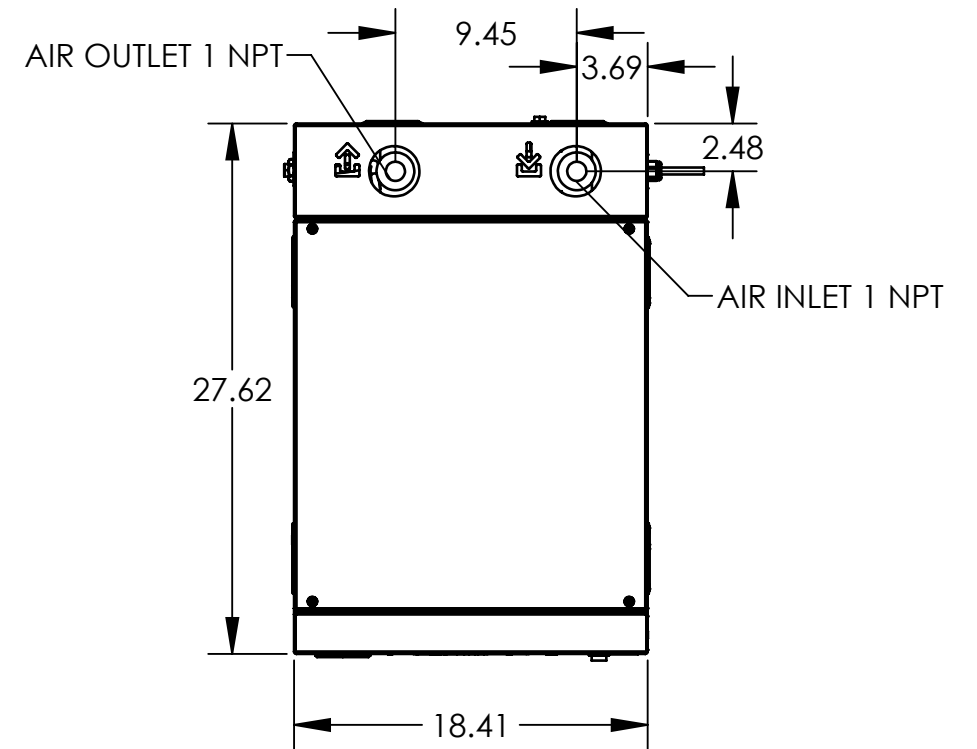
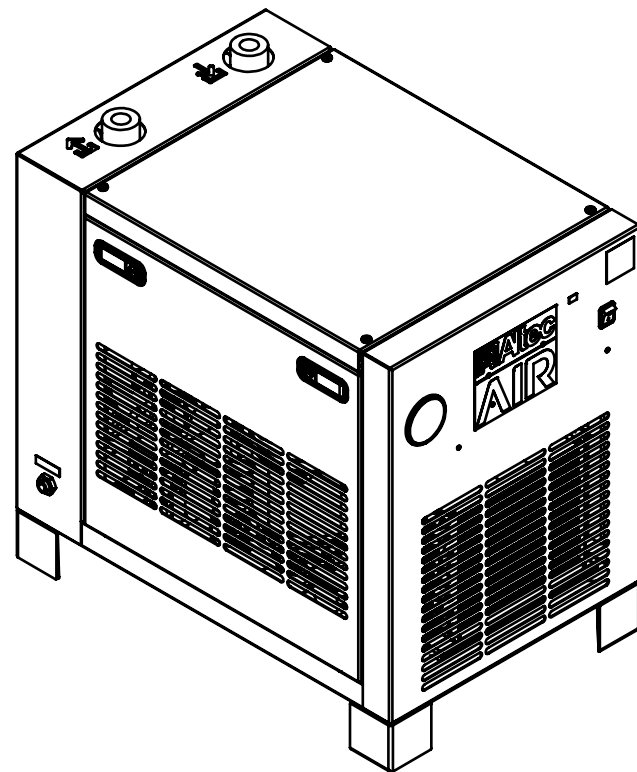


MODEL	RAD-0100A-2
MAX INLET AIR TEMP (F)	140°
MIN/MAX AMBIENT TEMP (F)	45°/120°
VOLTAGE	230V-1Ph-60Hz
REFRIGERANT	R134A
REFRIGERANT CHARGE (OZ)	17
LRA	23
RLA	4.8
MCA	7.88
MOP	15
COMPRESSOR	RECIPROCATING
INLET/OUTLET PORT (NPT)	1 NPT
DESIGN PRESSURE LOW/HIGH	150/300
COMPRESSOR HP	1/2
WEIGHT (LBS)	173
PLUG TYPE	CORD ONLY
POWER CORD LENGTH (FT)	10



DRAWN	J.GAMBLE	UNLESS OTHERWISE NOTED, TOLERANCES ARE: FRACTIONS: $\pm 1/16$ ANGLES: $\pm 0^{\circ}30'$ DECIMAL: .X = $\pm .06$   .XX = $\pm .03$   .XXX = $\pm .015$   .XXXX = $\pm .0030$ MACHINED SURFACES: 125 MICRONS THESE TOLERANCES DO NOT APPLY TO BASIC DIMENSIONS. DO NOT SCALE THIS PRINT, REMOVE ALL BURRS & SHARP EDGES, ALL DIMENSIONS ARE IN INCHES. CAD SOFTWARE: SOLIDWORKS. DRAWING DIMENSIONED TO ALTEC STANDARD: CDS-0007.	
APPROVED	-		
DATE	03/28/2022		
MATERIAL			
FINISH			
SHEET 1 OF 1		TITLE: REFRIGERATED, NON CYCLING, 100 SCFM, 230/1/60 CONFIDENTIAL: This drawing and its contents are the proprietary and confidential information of Altec Industries, Inc. and are not to be reproduced, copied or publicly disclosed. If this drawing is provided to someone outside Altec, it is done so for the limited purpose of assisting that recipient with a technical or product issue. In receiving this drawing, the recipient agrees to maintain it in confidence and not to use it beyond the purpose previously stated. Recipient agrees not to reproduce, copy, or publicly disclose this drawing and its contents.	



SCALE	WEIGHT	SIZE	NUMBER	REV
1:10	93.21	2	RAD-0100A-2	A